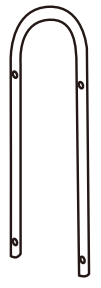
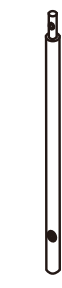
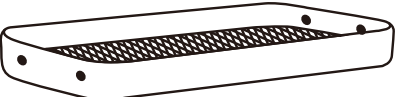







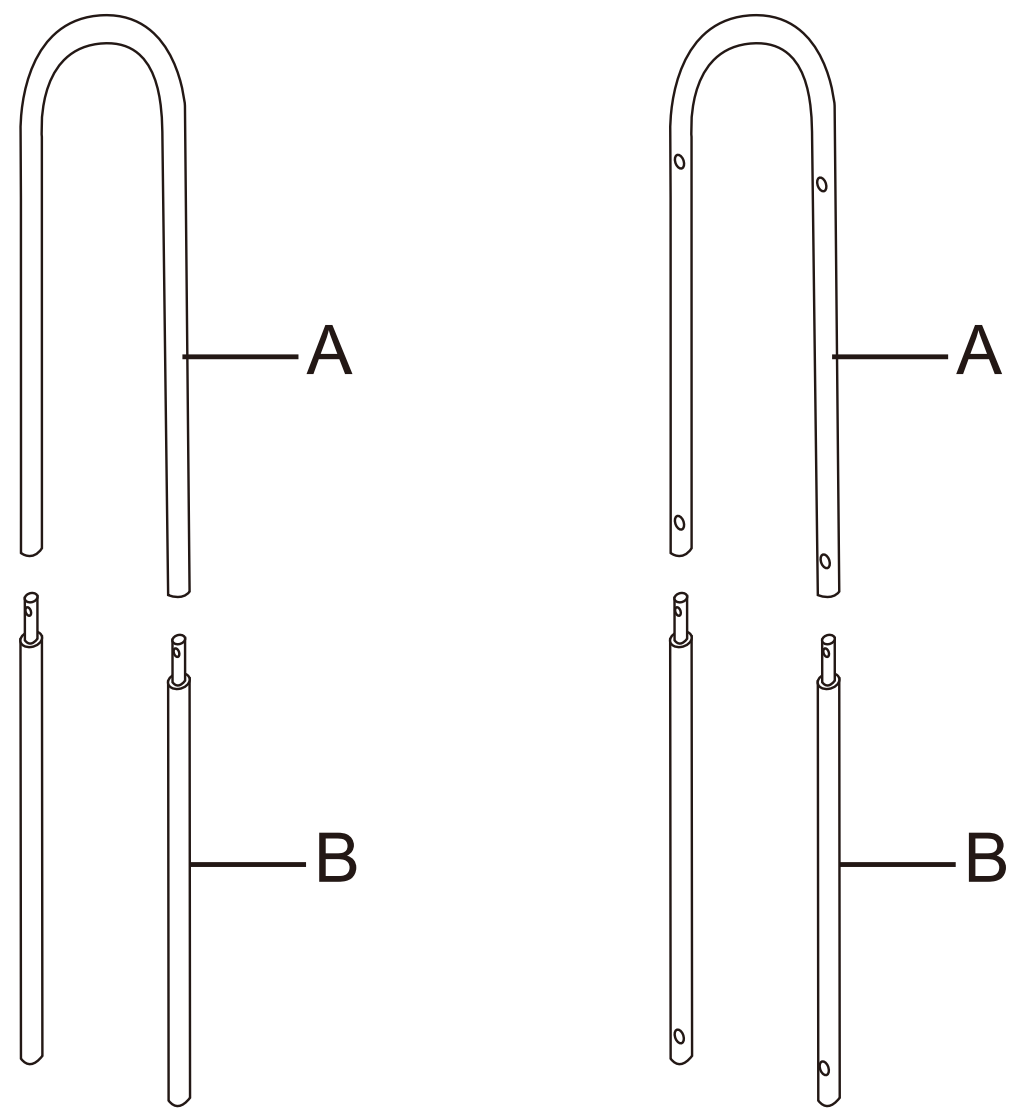
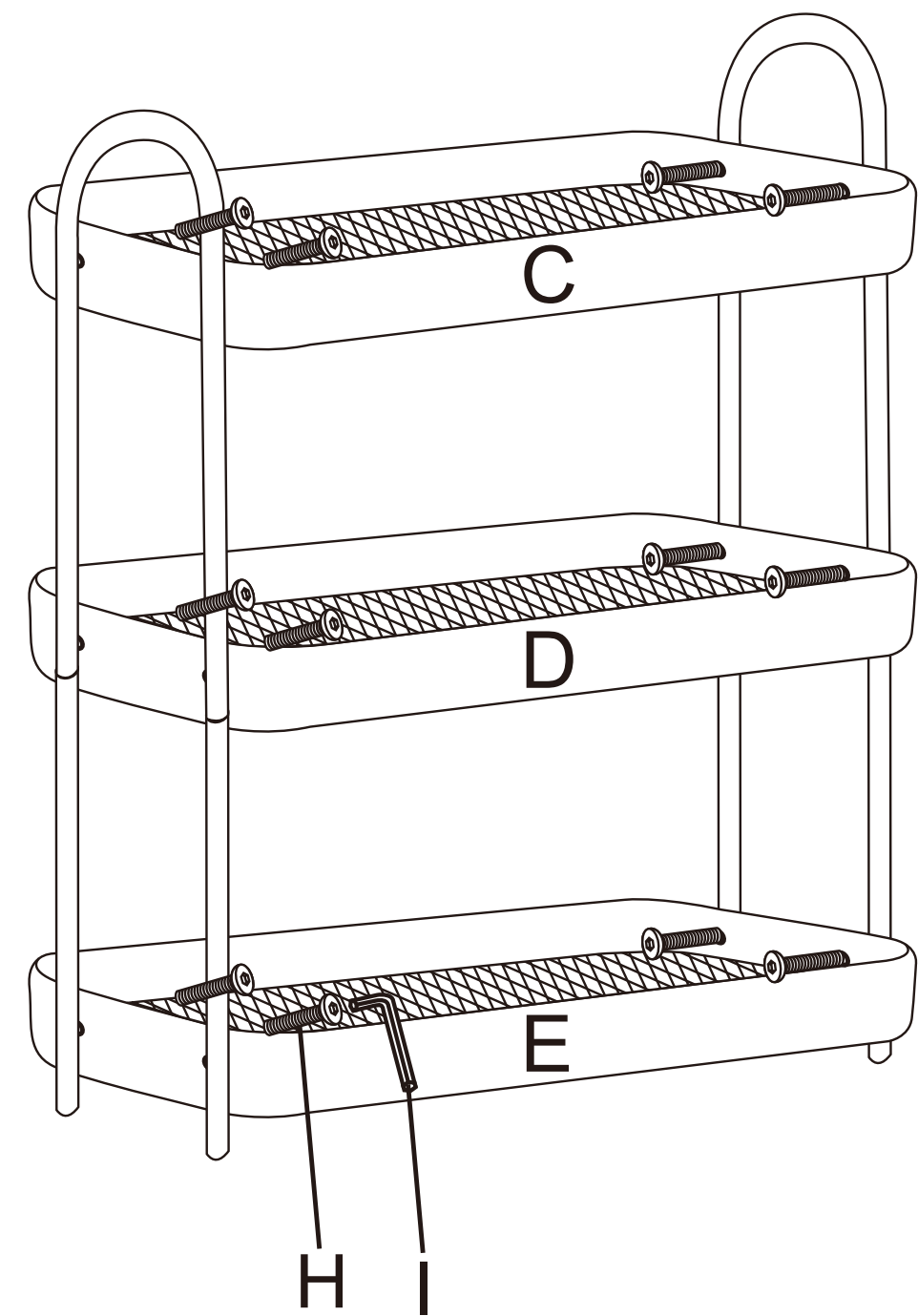


Ax2 	Bx4 	Cx1 	Dx1 	Ex1 	Fx4 
Gx4 	Hx12 	Ix1 	Jx4 		

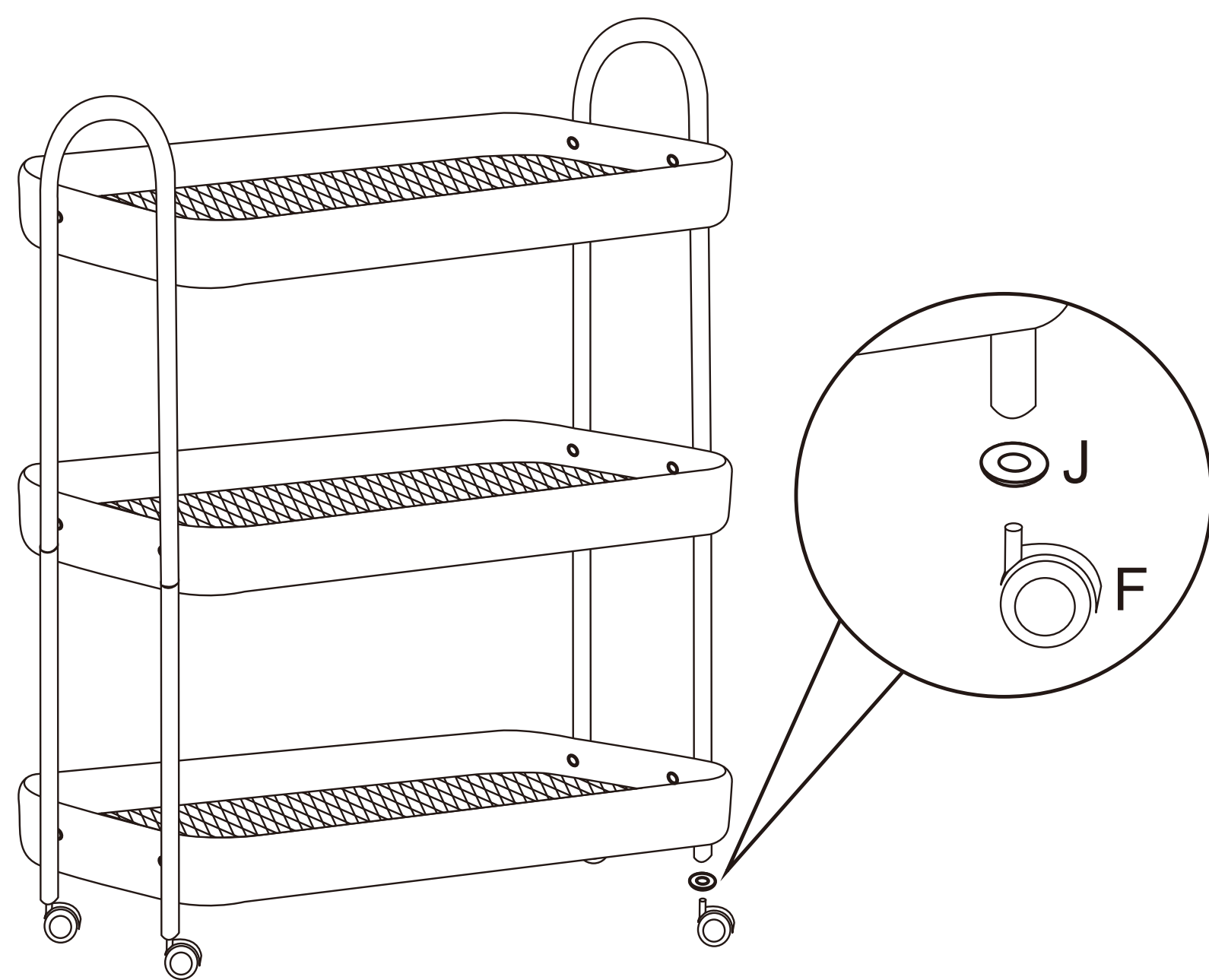
1.



2.



3.



4.

